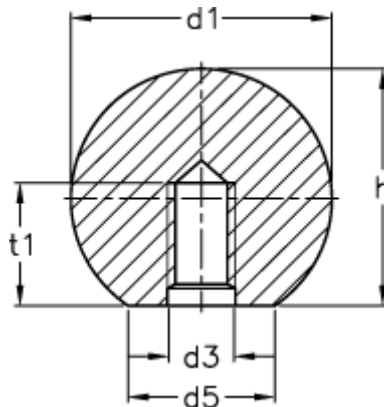


Article number: 20127460

Description: E+G Ball knob DIN 319-ST-40-M10-C

Measures



d1	= 40
d3	= M10
d5	= 22
h	= 37.0
t1 min.	= 18.0